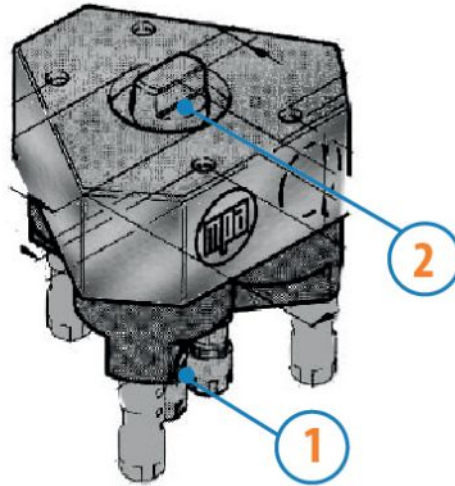


Drilling unit

Multiple heads with adjustable centre-to-centre - Drilling capacity up to 5 mm

Data sheet
MINI3



1. Chucks with adjustable distance
2. Connection to drilling unit

Description

These can be mounted on: all TEP series electro-pneumatic units; all TAG and TASG series pneumatic units; all TFLG series pneumatic units with the exception of the version with a 50/50 stroke.

Technical specification

Model	MINI3
Code	3733418
Chuck - N°	3
D - min	19,9
D - max	75,9
r.p.m. max	3500