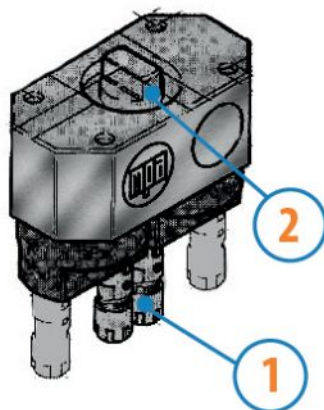


## Drilling unit

Multiple heads with adjustable centre-to-centre. Drilling capacity up to 5 mm

Data sheet  
**MINI2**



1. Chucks with adjustable distance
2. Connection to drilling unit

## Description

These can be mounted on: all TEP series electro-pneumatic units; all TAG and TASG series pneumatic units; all TFLG series pneumatic units with the exception of the version with a 50/50 stroke.

## Technical specification

Model	MINI2
Code	3732418
Chuck - N°	2
D - min	13,5
D - max	69,5
r.p.m. max	3500