

MOTORS WITHOUT CLUTCH (STALL ADJUSTMENT)

LACS FR SERIES - Reversible

WATT: 160 / CONSUMPTION: 400 NI/1'

Data sheet
LACS600FR



1. Square axial connection for plug sockets
2. Stroke compensator
3. Air inlet
4. Air exhaust

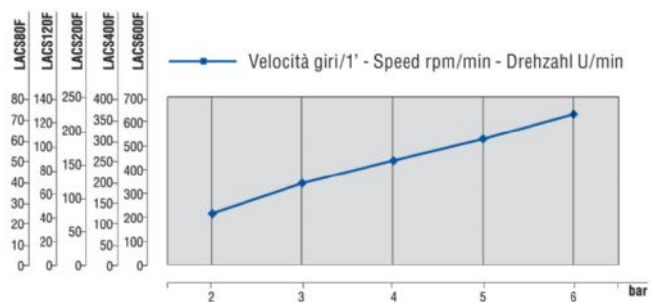
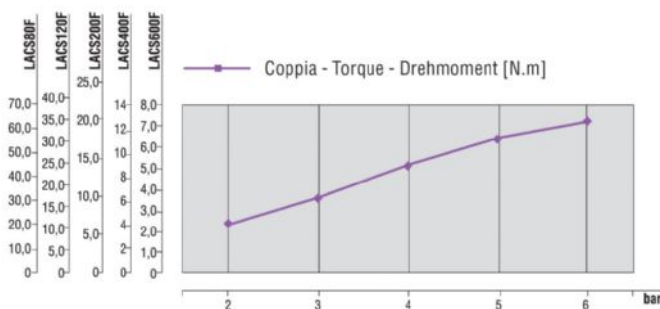
Technical specification

Reversible - Model	LACS600FR
Reversible - Code	8604152
No-load speed - rpm/min	500
Torque Nm - Nm	6,0
Screws tightening	M3-M4
Bush holder	3/8"

Form features

- Sliding axial coupling with stroke compensator.
Other versions available on request:
- Rigid shaft (without axial stroke compensation)
 - Short shaft
 - Short rigid shaft (without axial stroke compensation).

Characteristic curves



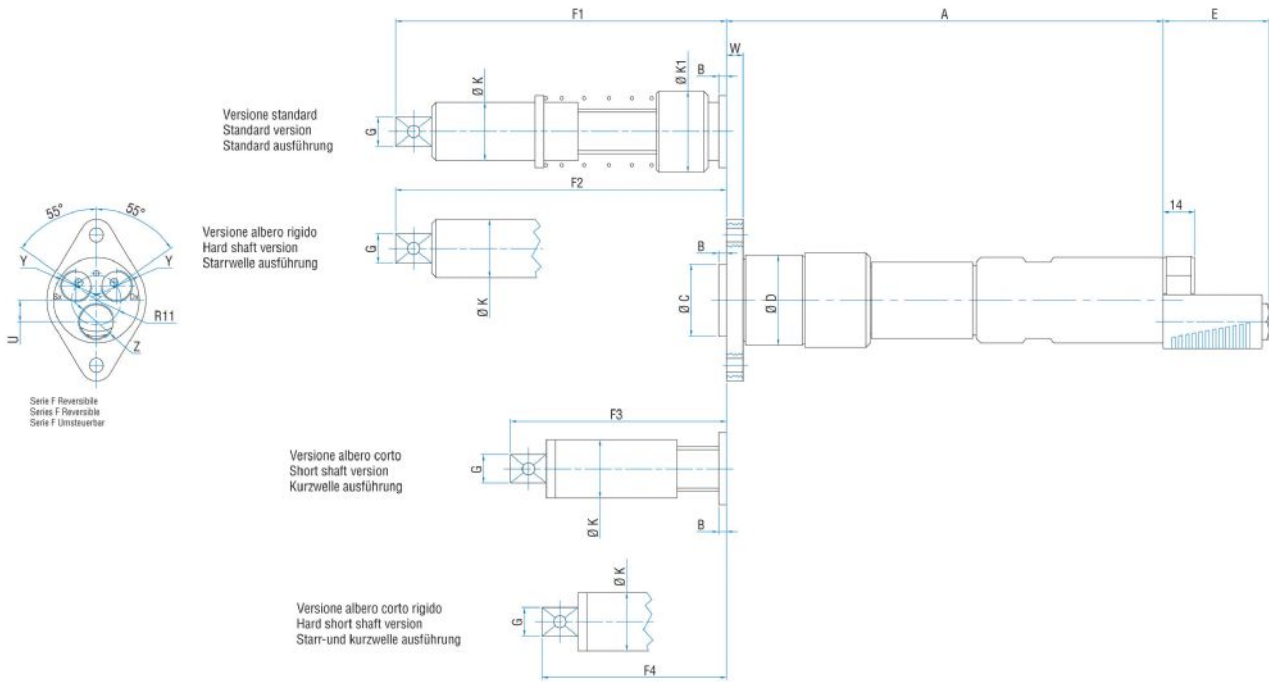
MOTORS WITHOUT CLUTCH (STALL ADJUSTMENT)

LACS FR SERIES - Reversible

WATT: 160 / CONSUMPTION: 400 NI/1'

Data sheet
LACS600FR

Overall dimensions



Model	Code	A	B	C	D	D1	D2	E	F1	F2	F3	F4	G	K	K1	Q	R
LACS600F	8604152	145,7	3,5	32	38	38	66	47	146	112	79,5	65,5	3/8"	20	26	52	6,25