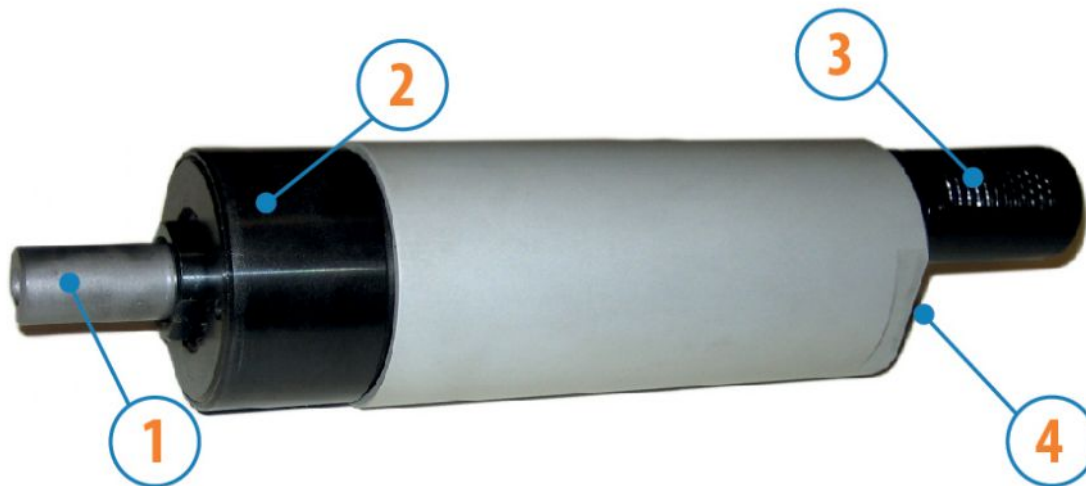


MOTORS WITH POWER UP TO 850 W

SP SERIES - Non reversible

WATT: 800 / CONSUMPTION: 1000 NI/1"

Data sheet
SPHD



1. Cylindrical keyed shaft
2. Grip zone
3. Air inlet
4. Air exhaust

Technical specification

| | |
|--------------------------|---------|
| Right rotation - Model | SPHD |
| Right rotation - Code | 8711250 |
| Speed rpm - No-load | 17000 |
| Speed rpm - at Max Power | 8270 |
| Torque Nm - at Max Power | 0,9 |
| Torque Nm - Stall Torque | 1,8 |

Form features

The normal delivery condition: cylindrical shaft and body as shown in the photo.

Optional:

Shaft

- threaded - indication /AF (left rotation excluded - subject to checks for reversible)

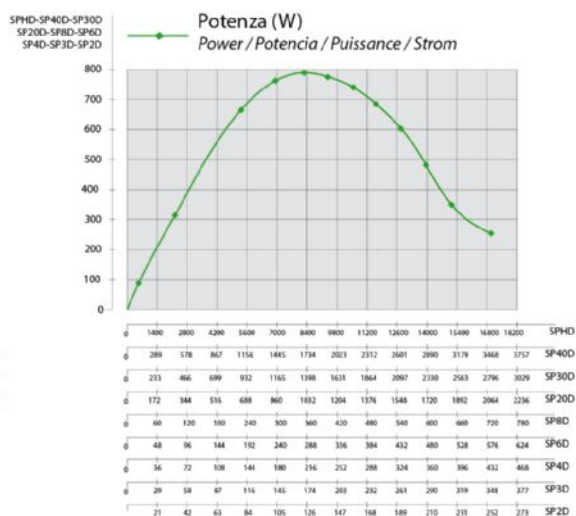
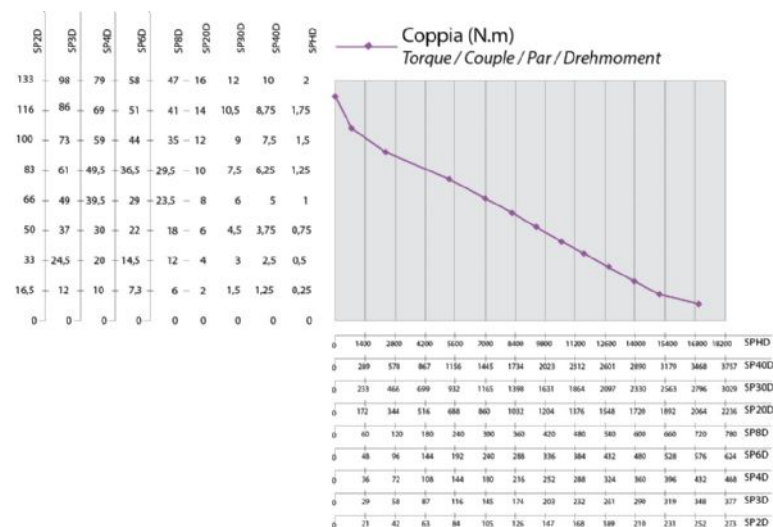
- conical - indication /AC

- with collets - indication /AP

Body

- with diamond flange coupling

Characteristic curves



MOTORS WITH POWER UP TO 850 W

SP SERIES - Non reversible

WATT: 800 / CONSUMPTION: 1000 NI/1"

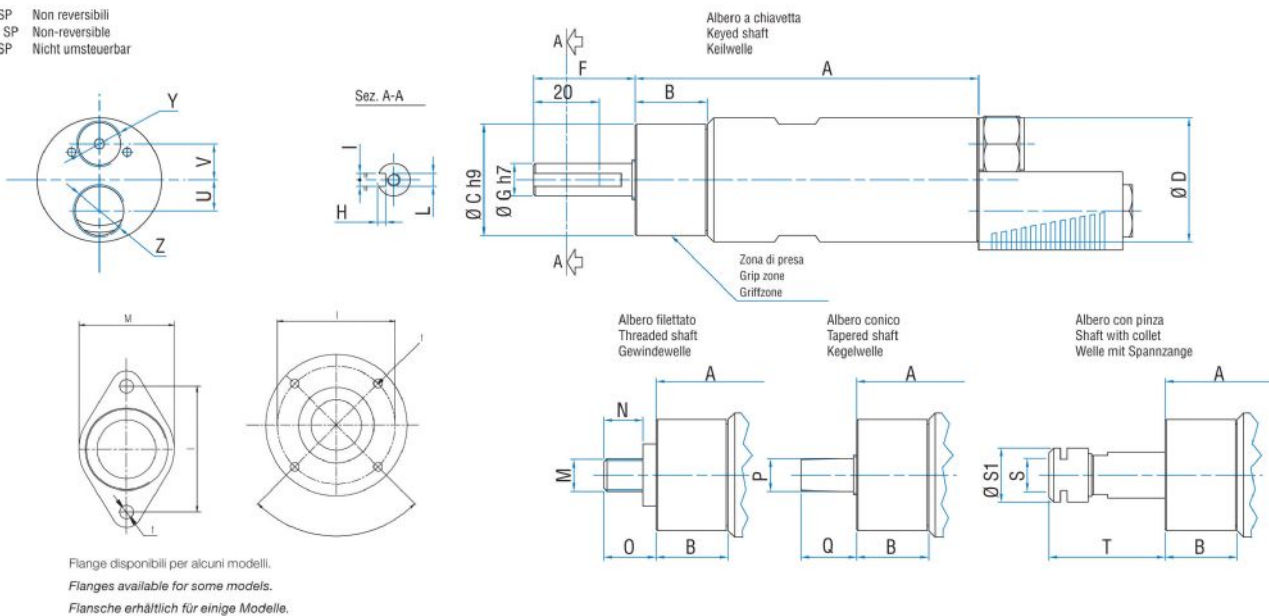
Data sheet
SPHD

Permissible radial and axial loads

| Model | Code | Fr (N) | Fa (N) | Co (N) |
|-------|---------|--------|--------|--------|
| SPHD | 8711250 | 2050 | 2350 | 4750 |

Overall dimensions

Serie SP Non reversibili
Series SP Non-reversible
Serie SP Nicht umsteuerbar



| Model | Code | A | B | C | D | F | G | H | I | L | M | N | O | P | Q | S |
|-------|---------|-----|----|----|----|------|----|---|---|----|------------|----|------|-----|------|------|
| SPHD | 8711250 | 146 | 31 | 48 | 50 | 31,5 | 14 | / | / | M6 | 1/2"x20UNF | 16 | 20,5 | B12 | 26,5 | ER16 |