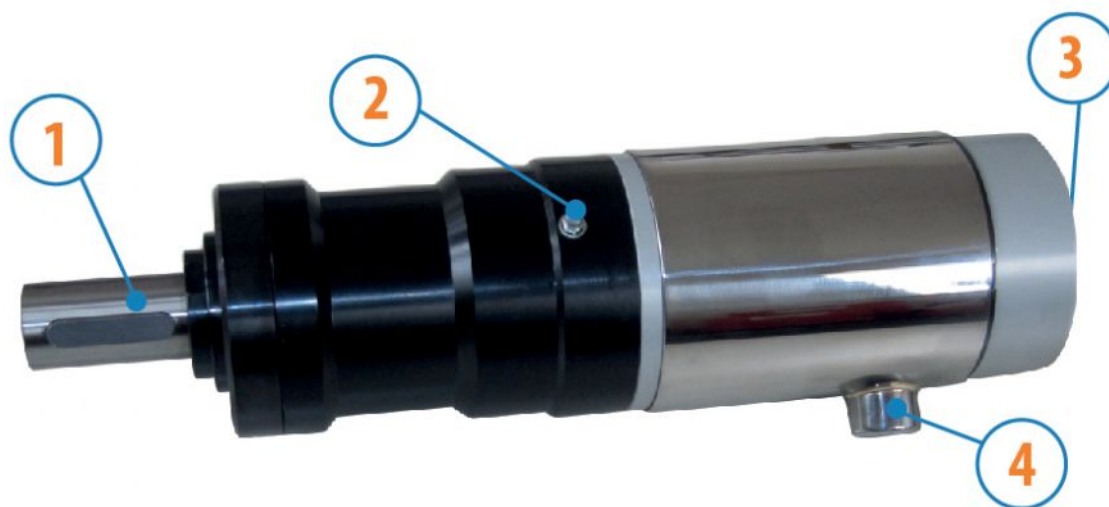


## MOTORS WITH POWER OVER 1000 W

NK SERIES - Non reversible

WATT: 3100 / CONSUMPTION: 2800 NI/1"

Data sheet  
NK70S



1. Cylindrical keyed shaft
2. Grease gun
3. Air inlet
4. Air exhaust

### Technical specification

Left rotation - Model	NK70S
Left rotation - Code	8721260
Speed rpm - No-load	65
Speed rpm - at Max Power	50
Torque Nm - at Max Power	600
Torque Nm - Stall Torque	1450

### Form features

The normal delivery condition:  
cylindrical shaft and body as shown in the photo.

Optional:

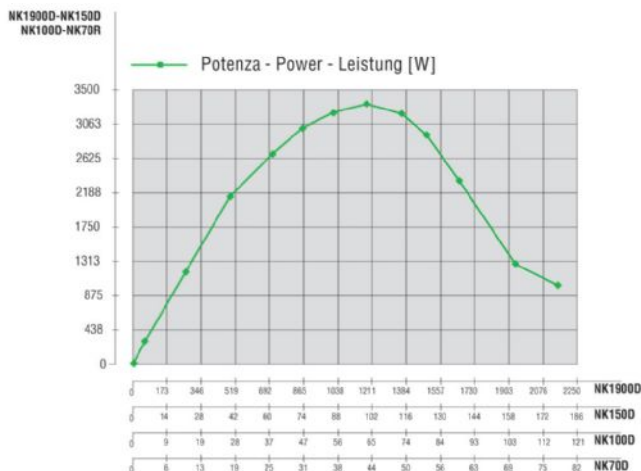
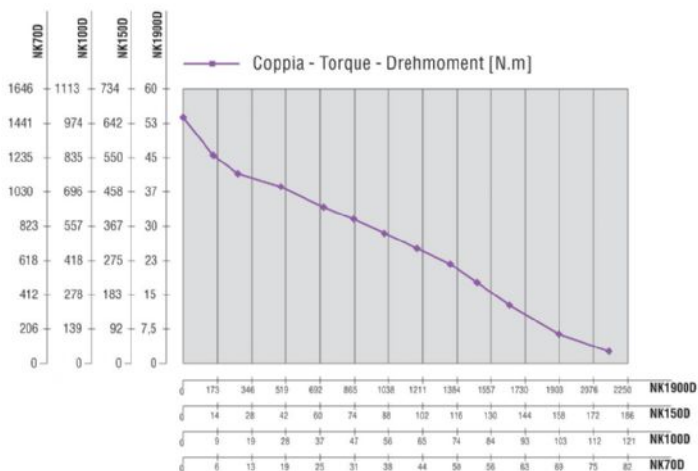
Shaft

- threaded - indication / AF (left rotation excluded - subject to checks for reversible)

- conical - indication / AC

- with collets - indication / AP

### Characteristic curves



# MOTORS WITH POWER OVER 1000 W

NK SERIES - Non reversible

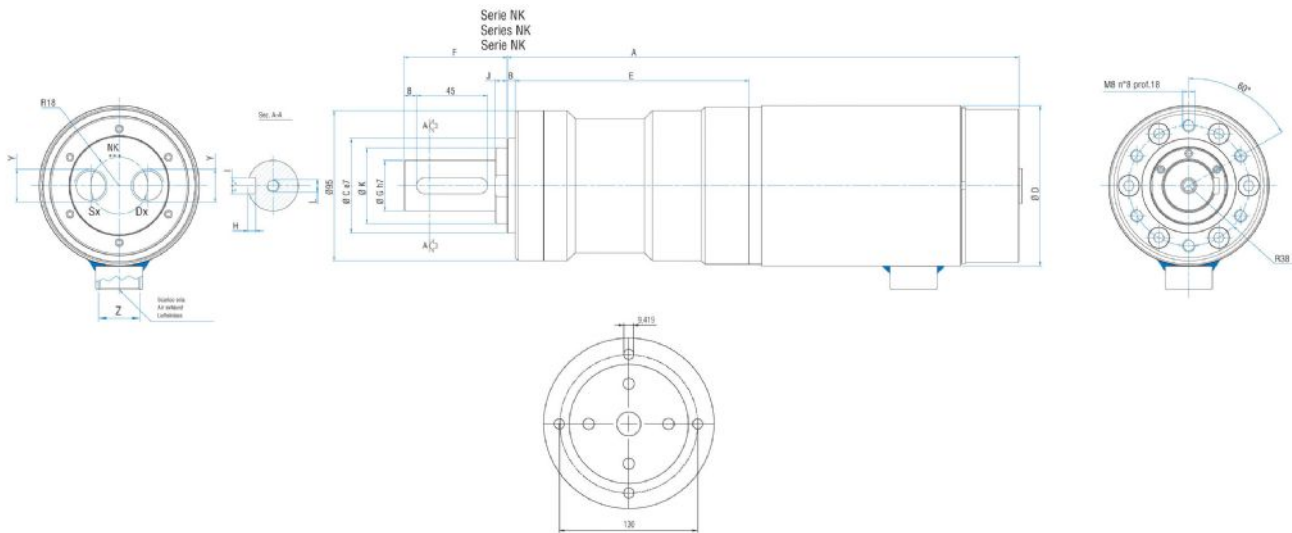
WATT: 3100 / CONSUMPTION: 2800 NI/1"

Data sheet  
**NK70S**

## Permissible radial and axial loads

Model	Code	Fr (N)	Fa (N)	Co (N)
NK70S	8721260	11000	8000	54000

## Overall dimensions



Flange disponibili per alcuni modelli.  
Flanges available for some models.  
Flansche erhältlich für einige Modelle.

Model	Code	A	B C	D	E	F	G	H	I	J	K	L	Y	Z
NK70S	8721260	331,8	5 60	101,6	148,3	65,5	32	5	10	7,5	48	M8	1/2"	3/4"