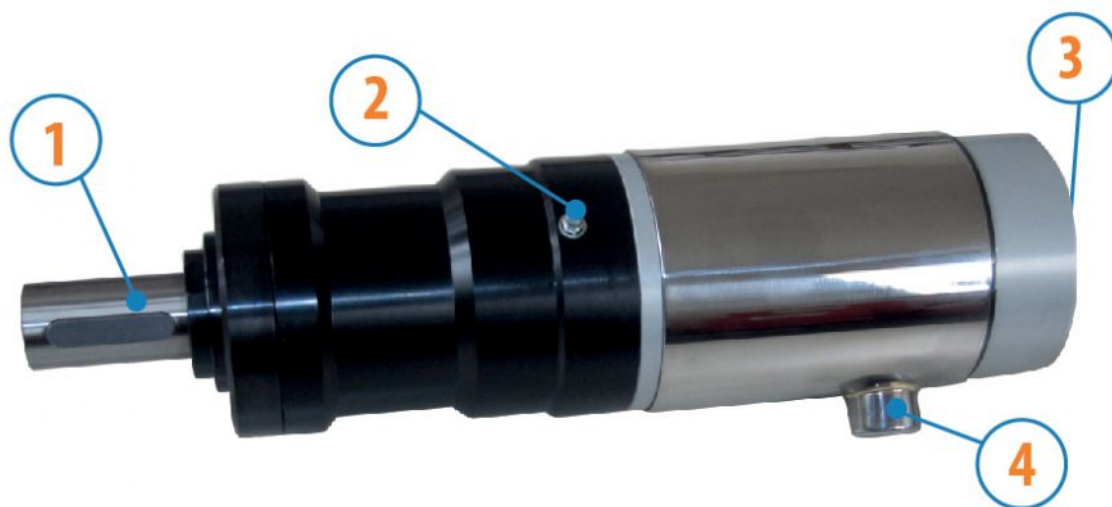


MOTORS WITH POWER OVER 1000 W

NK SERIES - Non reversible

WATT: 3100 / CONSUMPTION: 2800 NI/1"

Data sheet
NK1900S



1. Cylindrical keyed shaft
2. Grease gun
3. Air inlet
4. Air exhaust

Technical specification

Left rotation - Model	NK1900S
Left rotation - Code	8721263
Speed rpm - No-load	1850
Speed rpm - at Max Power	1350
Torque Nm - at Max Power	22
Torque Nm - Stall Torque	53

Form features

The normal delivery condition:
cylindrical shaft and body as shown in the photo.

Optional:

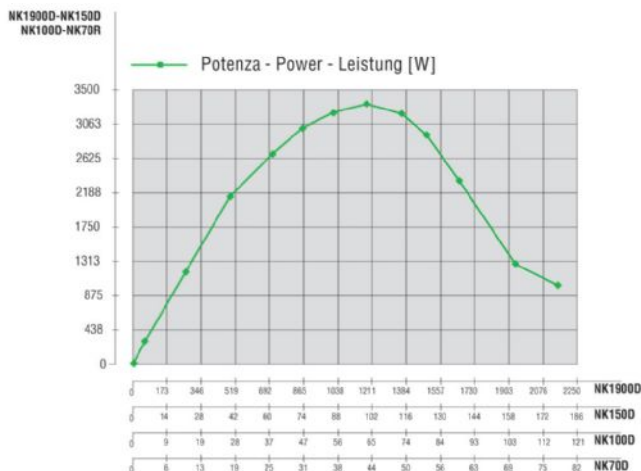
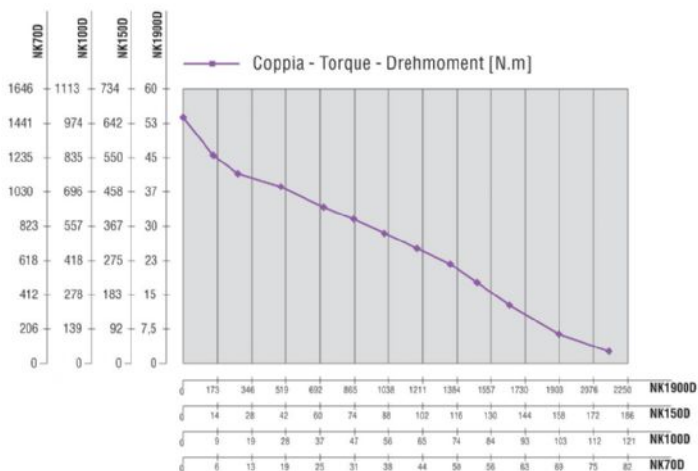
Shaft

- threaded - indication / AF (left rotation excluded - subject to checks for reversible)

- conical - indication / AC

- with collets - indication / AP

Characteristic curves



MOTORS WITH POWER OVER 1000 W

NK SERIES - Non reversible

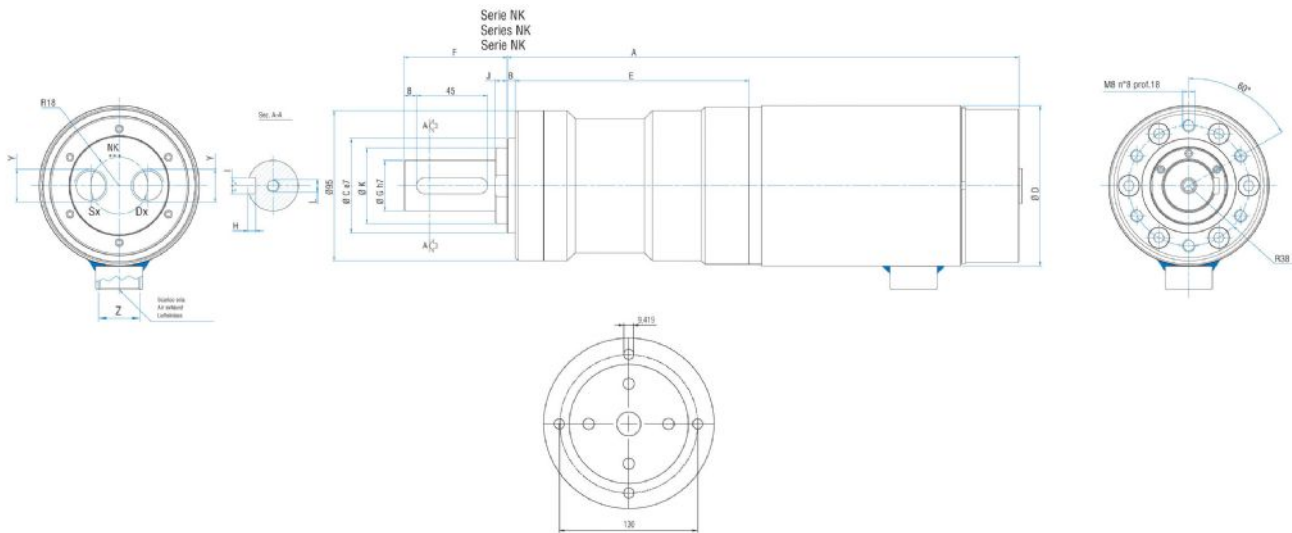
WATT: 3100 / CONSUMPTION: 2800 NI/1"

Data sheet
NK1900S

Permissible radial and axial loads

Model	Code	Fr (N)	Fa (N)	Co (N)
NK1900S	8721263	11000	8000	54000

Overall dimensions



Flange disponibili per alcuni modelli.
Flanges available for some models.
Flansche erhältlich für einige Modelle.

Model	Code	A	B C	D	E	F	G	H	I	J	K	L	Y	Z
NK1900S	8721263	331,8	5 60	101,6	148,3	65,5	32	5	10	7,5	48	M8	1/2"	3/4"