

# MOTORS WITH POWER OVER 1000 W

LKW SERIES - Non reversible

WATT: 1340 / CONSUMPTION: 1400 NI/1'

Data sheet  
**LKW40S**



1. Cylindrical keyed shaft
2. Grease gun
3. Air inlet
4. Air exhaust

## Technical specification

Left rotation - Model	LKW40S
Left rotation - Code	8721240
Speed rpm - No-load	3500
Speed rpm - at Max Power	1700
Torque Nm - at Max Power	7,5
Torque Nm - Stall Torque	8,9

## Form features

The normal delivery condition: cylindrical shaft and body as shown in the photo.

Optional:

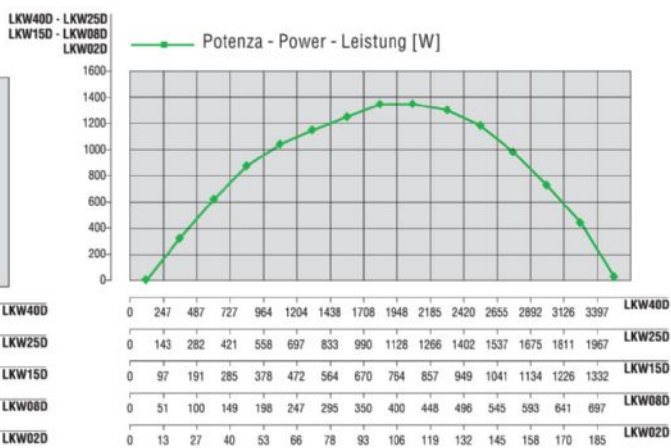
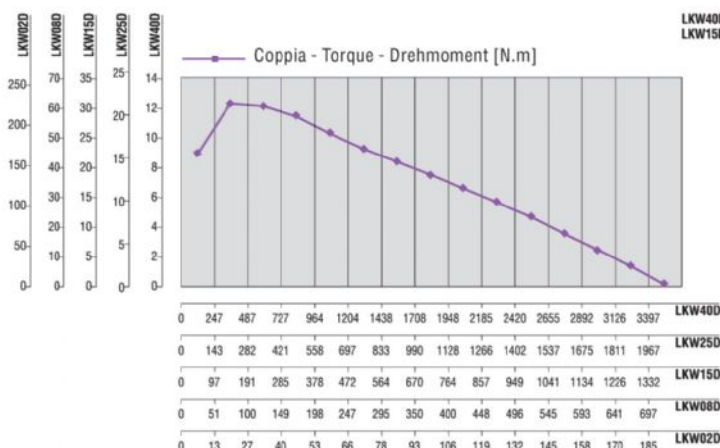
Shaft

- threaded - indication / AF (left rotation excluded - subject to checks for reversible)

- conical - indication / AC

- with collets - indication / AP

## Characteristic curves



# MOTORS WITH POWER OVER 1000 W

LKW SERIES - Non reversible

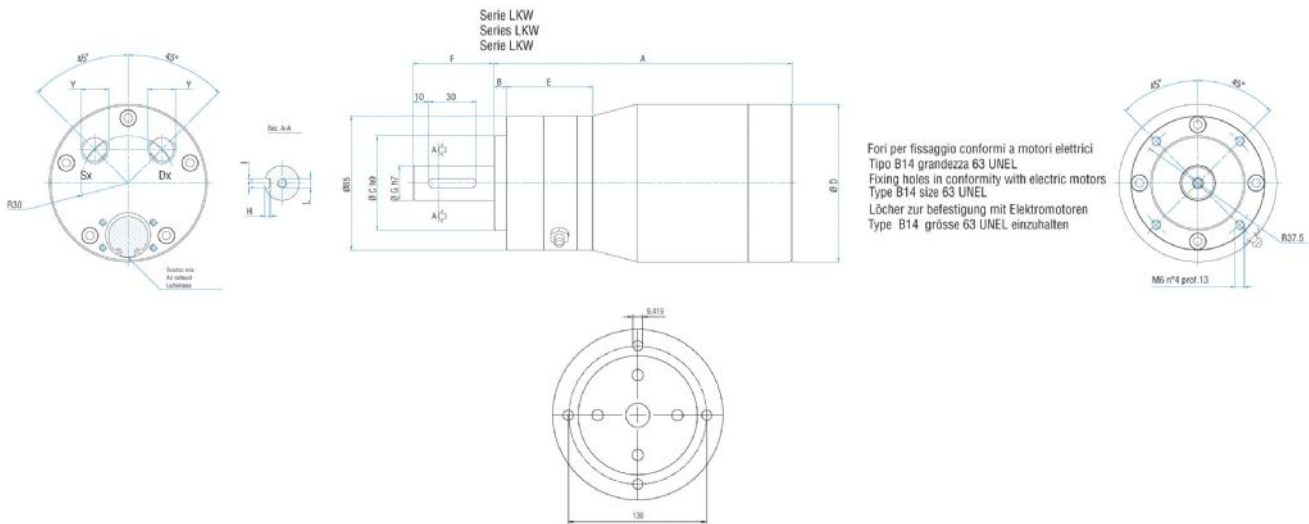
WATT: 1340 / CONSUMPTION: 1400 NI/1'

Data sheet  
**LKW40S**

## Permissible radial and axial loads

Model	Code	Fr (N)	Fa (N)	Co (N)
LKW40S	8721240	2850	3900	7800

## Overall dimensions



Fori per fissaggio conformi a motori elettrici  
Tipo B14 grandezza 63 UNEL  
Fixing holes in conformity with electric motors  
Type B14 size 63 UNEL  
Löcher zur Befestigung mit Elektromotoren  
Type B14 grösse 63 UNEL einzuhalten

Flange disponibili per alcuni modelli.  
Flanges available for some models.  
Flansche erhältlich für einige Modelle.

Model	Code	A	B	C	D	E	F	G	H	I	J	K	L	Y	Z
LKW40S	8721240	189,2	8	60	100	54,8	51,2	22	3,5	6	/	/	M6	3/8"	/