

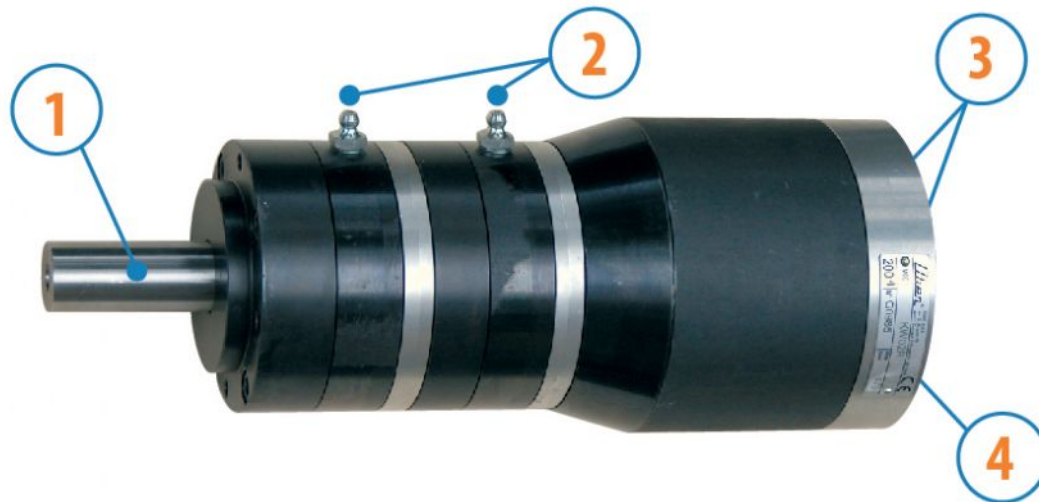
## MOTORS WITH POWER OVER 1000 W

LKW SERIES - Reversible

WATT: 1070 / CONSUMPTION: 1600 NI/1'

Data measured at pressure of 6 bar - Minimum supply hose diameter: 13 mm

Data sheet  
**LKW25R**



1. Cylindrical keyed shaft
2. Ingrassatori
3. Air inlets
4. Air exhaust

### Technical specification

- Model	LKW25R
- Code	8731241
Speed rpm - No-load	1700
Speed rpm - at Max Power	910
Torque Nm - at Max Power	8,7
Torque Nm - Stall Torque	10,2

### Form features

The normal delivery condition:  
cylindrical shaft and body as shown in the photo.

Optional:

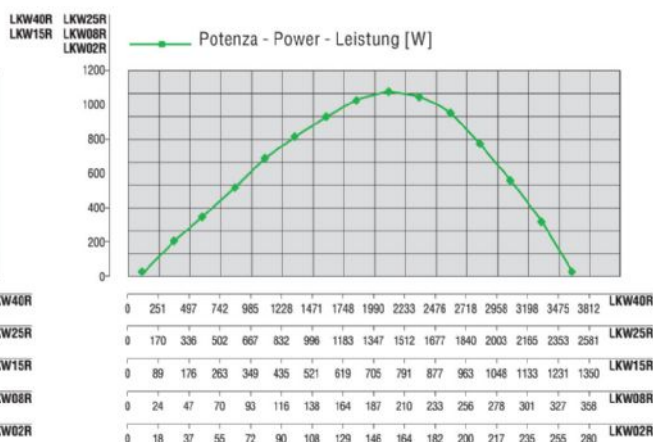
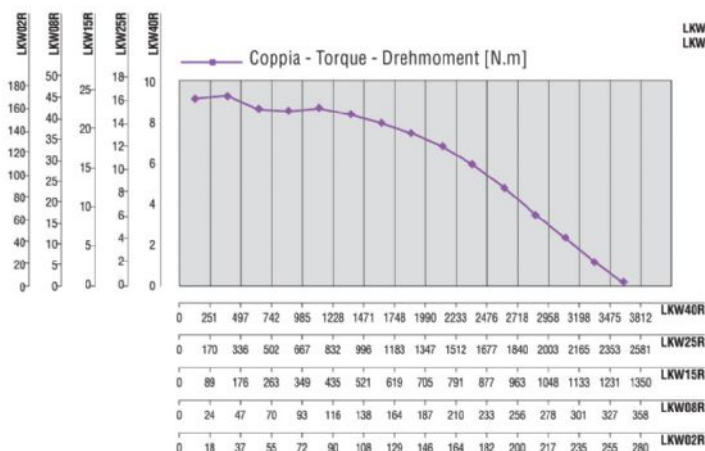
Shaft

- threaded - indication / AF (left rotation excluded - subject to checks for reversible)

- conical - indication /AC

- with collets - indication / AP

### Characteristic curves



# MOTORS WITH POWER OVER 1000 W

LKW SERIES - Reversible

WATT: 1070 / CONSUMPTION: 1600 NI/1'

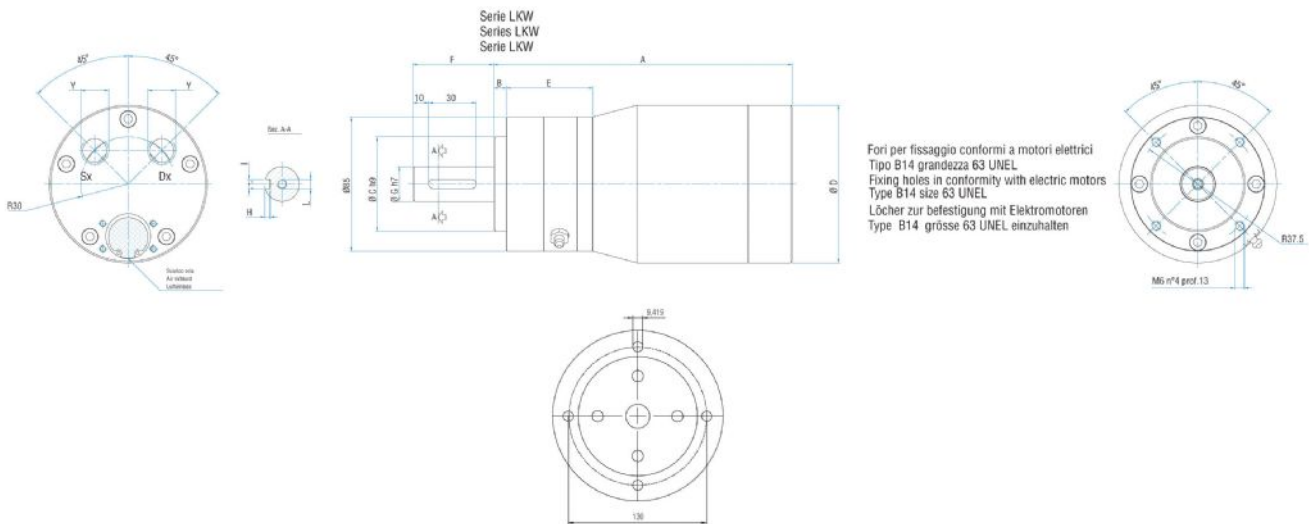
Data measured at pressure of 6 bar - Minimum supply hose diameter: 13 mm

Data sheet  
**LKW25R**

## Permissible radial and axial loads

Model	Code	Fr (N)	Fa (N)	Co (N)
LKW25R	8731241	2850	3900	7800

## Overall dimensions



Fori per fissaggio conformi a motori elettrici  
Tipo B14 grandezza 63 UNEL  
Fixing holes in conformity with electric motors  
Type B14 size 63 UNEL  
Löcher zur Befestigung mit Elektromotoren  
Type B14 gröse 63 UNEL einzuhalten

Flange disponibili per alcuni modelli.  
Flanges available for some models.  
Flansche erhältlich für einige Modelle.

Model	Code	A	B	C	D	E	F	G	H	I	J	K	L	Y	Z
LKW25R	8731241	189,2	8	60	100	54,8	51,2	22	3,5	6	/	/	M6	3/8"	/