

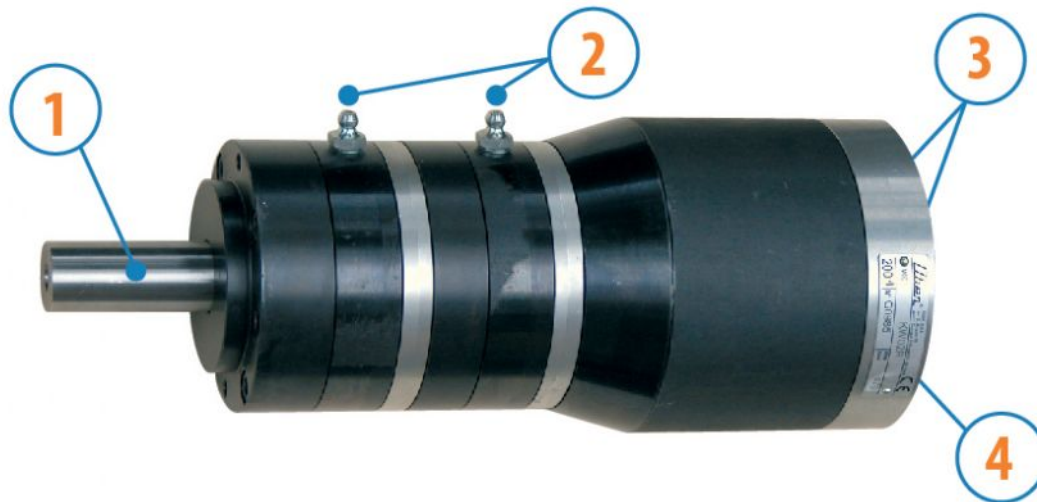
# MOTORS WITH POWER OVER 1000 W

LKW SERIES - Reversible

WATT: 1070 / CONSUMPTION: 1600 NI/1'

Data measured at pressure of 6 bar - Minimum supply hose diameter: 13 mm

Data sheet  
**LKW02R**



1. Cylindrical keyed shaft
2. Ingrassatori
3. Air inlets
4. Air exhaust

## Technical specification

- Model	LKW02R
- Code	8731245
Speed rpm - No-load	160
Speed rpm - at Max Power	85
Torque Nm - at Max Power	92,3
Torque Nm - Stall Torque	108,7

## Form features

The normal delivery condition: cylindrical shaft and body as shown in the photo.

Optional:

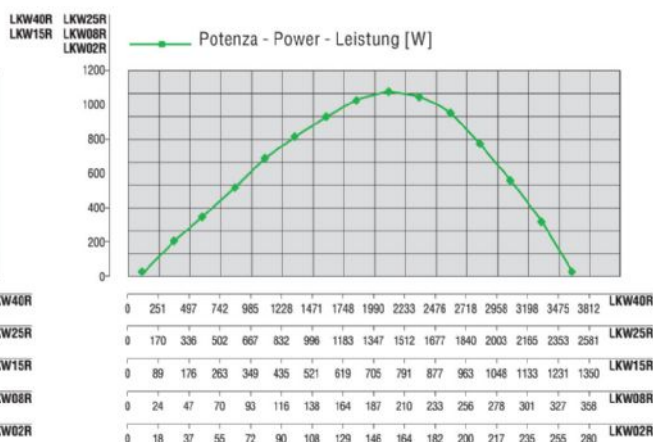
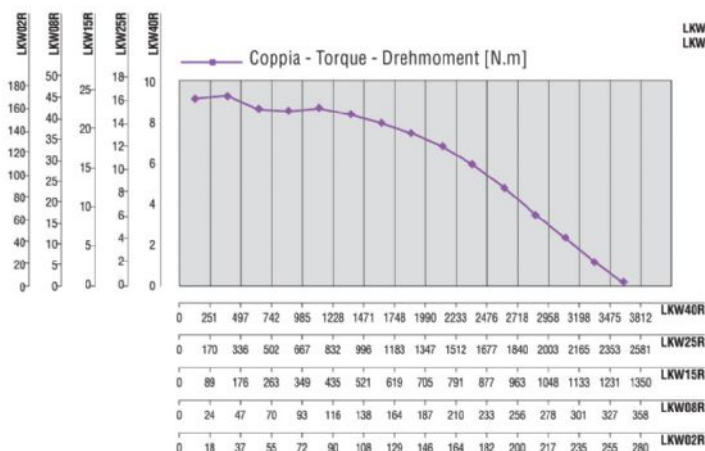
Shaft

- threaded - indication / AF (left rotation excluded - subject to checks for reversible)

- conical - indication /AC

- with collets - indication / AP

## Characteristic curves



# MOTORS WITH POWER OVER 1000 W

LKW SERIES - Reversible

WATT: 1070 / CONSUMPTION: 1600 NI/1'

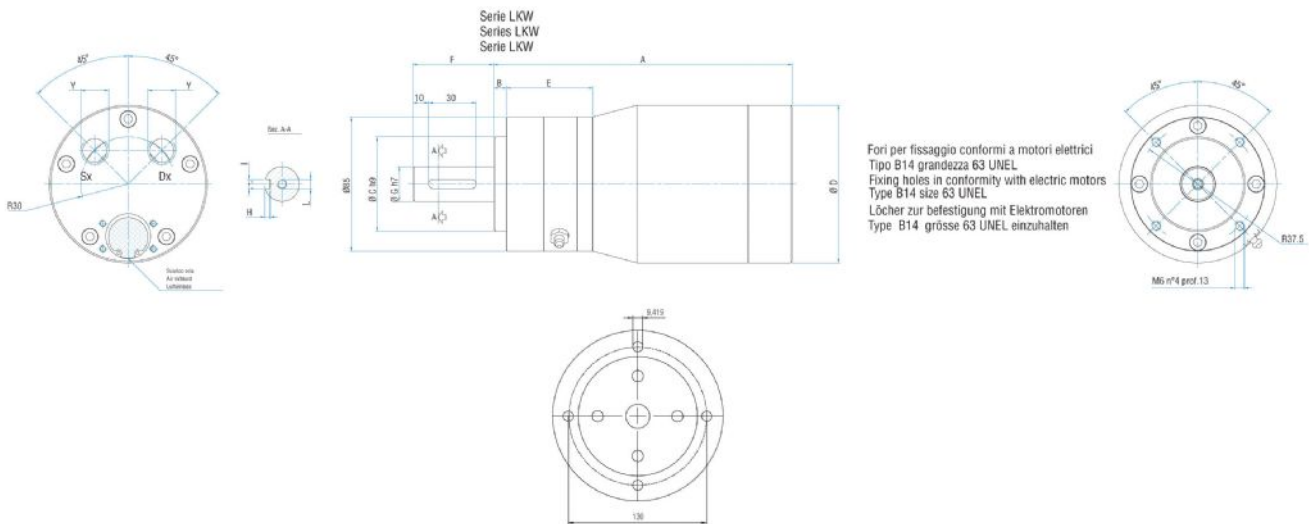
Data measured at pressure of 6 bar - Minimum supply hose diameter: 13 mm

Data sheet  
**LKW02R**

## Permissible radial and axial loads

Model	Code	Fr (N)	Fa (N)	Co (N)
LKW02R	8731245	2850	3900	7800

## Overall dimensions



Flange disponibili per alcuni modelli.  
Flanges available for some models.  
Flansche erhältlich für einige Modelle.

Model	Code	A	B	C	D	E	F	G	H	I	J	K	L	Y	Z
LKW02R	8731245	238,2	8	60	100	103,8	51,2	22	3,5	6	/	/	M6	3/8"	/